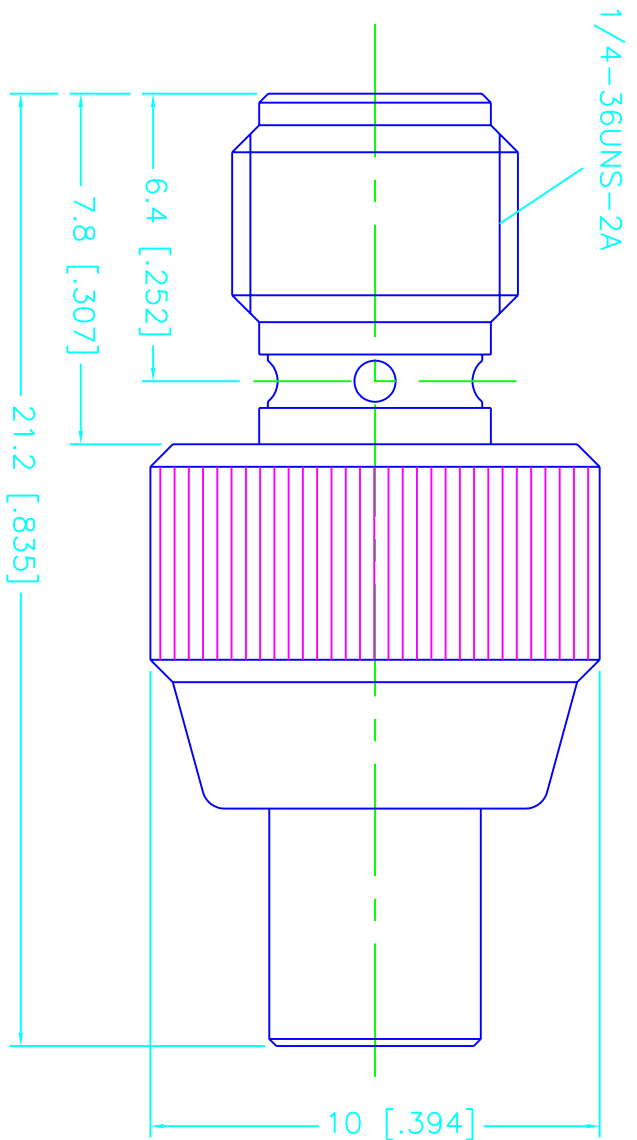


REV.	DATE
NC	11/07/99

DESCRIPTION  
INITIAL RELEASE



8			
7			
6			
5			
4	BODY	BRASS	GOLD
3	CONTACT PIN	BER. COPPER	GOLD
2	INSULATOR	TEFLON	NATURAL
1	HOUSING	BRASS	GOLD
	DESCRIPTION	MATERIAL	FINISH

UNLESS OTHERWISE SPECIFIED  
DIMENSIONS ARE IN MILLIMETERS  
DIMENSIONS IN [ ] ARE IN INCHES  
FOR CUSTOMER REFERENCE ONLY

UNLESS OTHERWISE SPECIFIED  
TOLERANCES FOR MILLIMETERS ARE:  
0.5-6 = ± 0.2  
6-30 = ± 0.4  
30-120 = ± 0.6  
120-315 = ± 1  
315-1000 = ± 1.6  
1000-2000 = ± 2.4

DO NOT SCALE DRAWING

APPROVALS	DATE
DRAWN G.R.S.	11/07/99
CHECKED	
ISSUED	

TITLE  
SMA FEMALE TO MCX FEMALE ADAPTOR

**Connext**  
Connector Corporation

SIZE A	FSCM NO. 99001	DWG. NO. 242129.DWG	REV. NC
SCALE NA	PART NO. 242129	SHEET 1 OF 1	